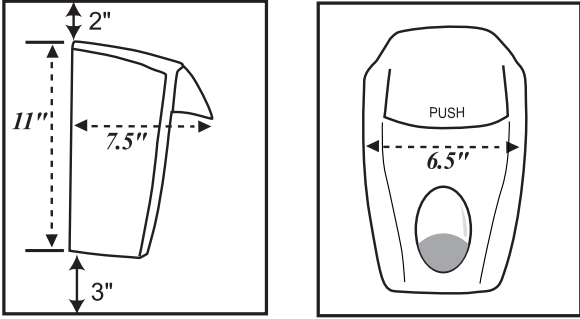
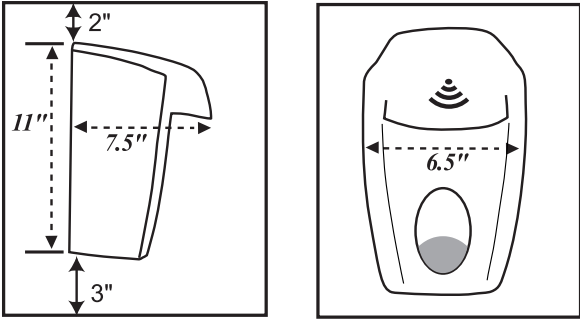


KUTOL WALL DISPENSERS SIZE SPECS

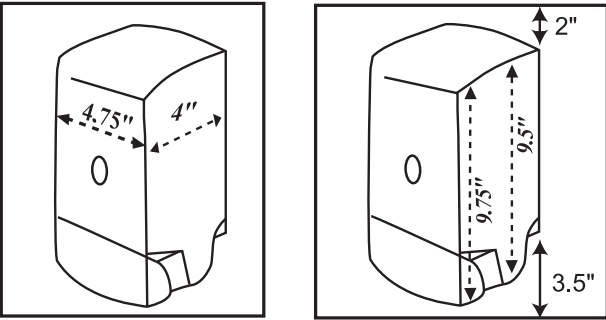
EZ Hand Hygiene Manual-push Wall Mount Dispenser



EZ Foam No Touch Automatic Wall Mount Dispenser

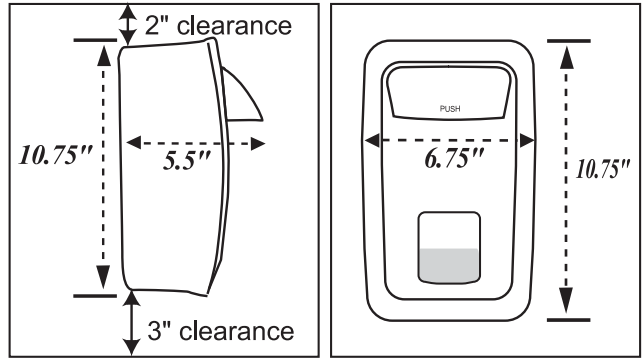


Soft & Silky 800mL BNB Dispenser

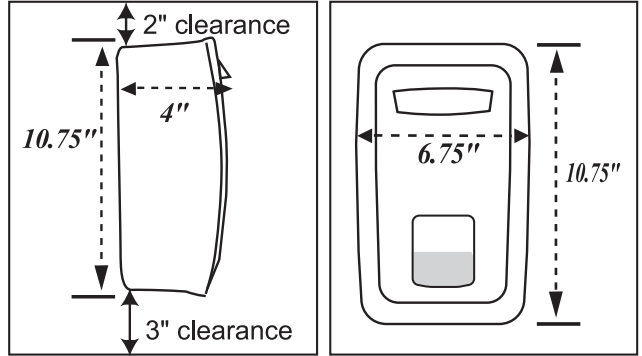


KUTOL DESIGNER SERIES SPECS

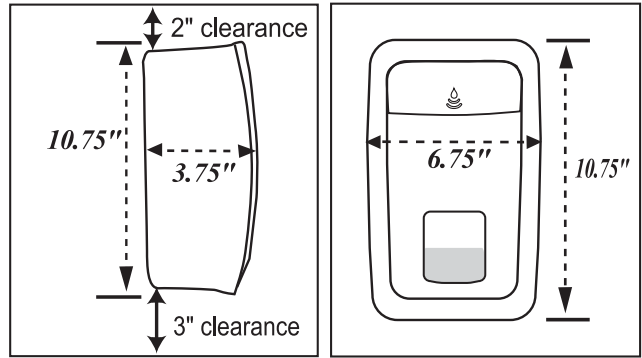
Designer Series Manual (Push) & NoTouch Extended



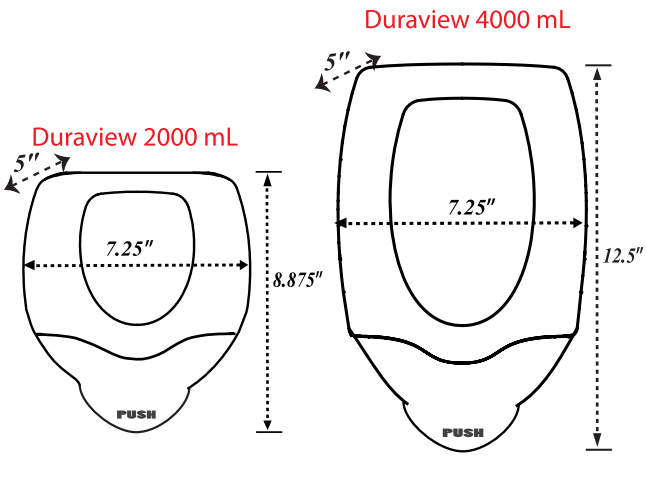
Designer Series Manual-w/optional ADA Push Pad



Designer Series No Touch Slim



KUTOL DURAVIEW SPECS



KUTOL CAPACITY PLUS SPECS

