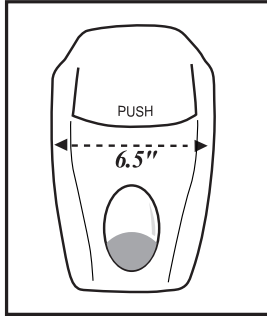
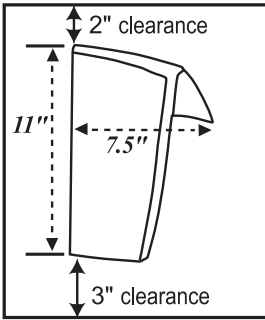
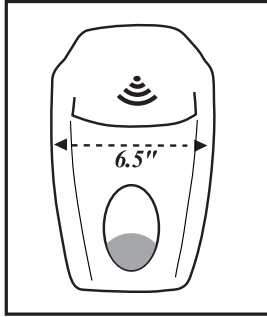
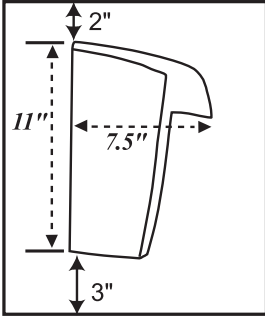


# DISPENSER SPECS

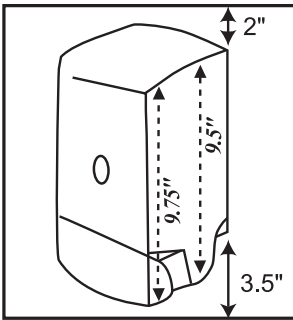
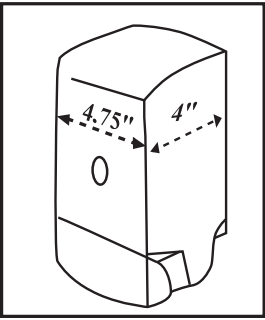
## EZ Foam Manual



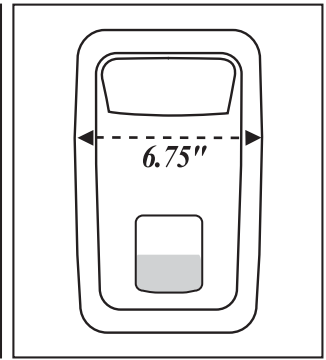
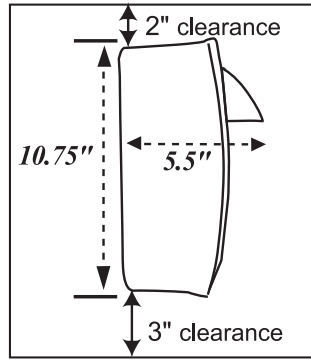
## EZ Foam No Touch



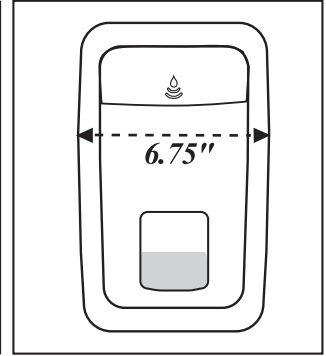
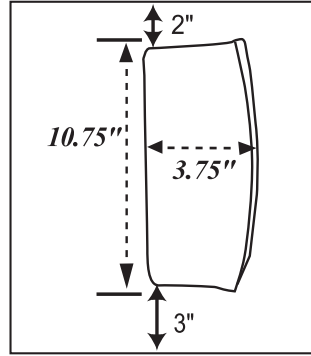
## Soft & Silky 800mL BNB Dispenser



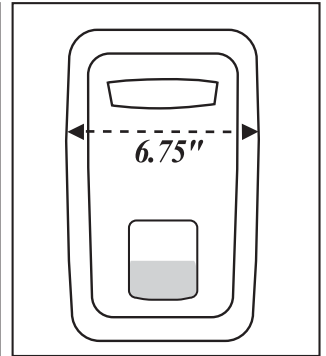
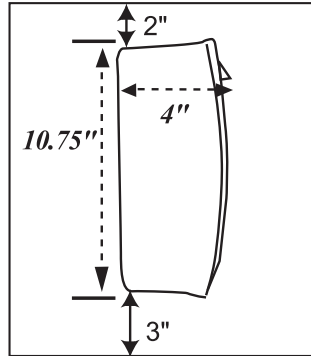
## Designer Series Manual / No Touch (Enhanced) / DECO



## Designer Series No Touch (Slim)

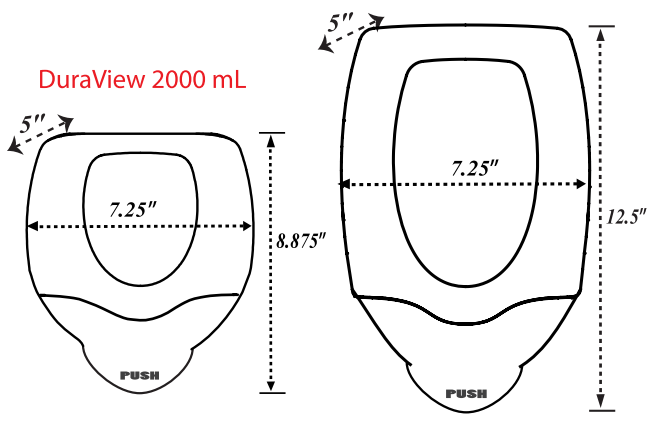


## Designer Series Manual w/optional ADA Push Pad

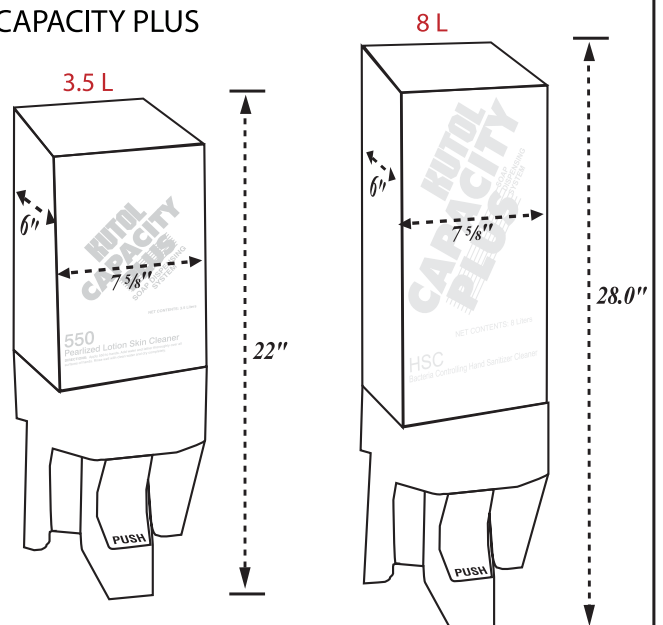


**IMPORTANT:** Dispensers open to the front. For ideal placement, dispensers should be mounted at least 3" above any countertop, fixture or obstruction and at least 2" below any upper cabinet, fixture or obstruction.

## DURAVIEW



## CAPACITY PLUS



# KUTOL

Hand Care Specialists 100 Partnership Way / Sharonville, OH 45241 / sales@kutol.com / (800) 543-4641 / www.kutol.com