

Universal Design Guide

Washrooms & Showers

Accessories
Faucets
Lavatories
Showers
Toilets



Accessibility Standards and Guides

The two primary sources for accessibility information are:

- The Americans with Disabilities Act (ADA) – Architectural Barriers Act (ABA) Accessibility Guidelines (ADAAG)
- The American National Standards Institute (ICC/ANSI A117.1)

Many people use the term "ADA compliant" generically even if they mean compliant to a different accessibility guide or code that applies to their specific building. ADA is a federal civil rights statute, not a building code. Though not enforced by building code officials, failure to comply is enforced through legal action from the Department of Justice.

Accessibility Guidelines		Applicable to	Links
UFAS	Uniform Federal Accessibility Standards	Certain governmental organizations	http://www.access-board.gov/ufas/ufas-html/ufas.htm#4.23
ADAAG	Americans with Disabilities Act Accessibility Guide	Private sector facilities and state and local government facilities	http://www.ada.gov/stdspdf.htm
ANSI*	American National Standards Institute A117.1	Most state building codes	http://www.access-board.gov/links/statecodes.htm

* The American National Standards Institute is a commercial standards setting organization. A copy of the guides can be purchased at the ICC website (<http://www.iccsafe.org>).

Federal Organizations And Accessibility

	Organization	Name of Standard	Applicable to	Applicable Guidelines	Links
DOD	Department of Defense		Department of Defense Installations	UFAS	
USPS	United States Postal Service		Postal Facilities	UFAS	http://www.usdoj.gov/olc/barrieropfin2.htm
HUD	Department of Housing and Urban Development	Fair Housing Act Design Standard	Residential Structures covered by the ABA, except those funded by the DOD	ABA	http://www.huduser.org/Publications/pdf/fairhousing/fairintro.pdf
GSA	General Service Administration		Buildings subject to accessibility standards but not other standard-setting organizations	UFAS & ADA/ABA	http://www.gsa.gov/portal/content/100850
DOT	Department of Transportation		Department of Transportation Installations	UFAS	

Interactive version of this guide available at: bradleycorp.com/ADAguide.pdf

State Codes

Accessibility codes may be part of a state's building codes or may be stand-alone codes developed by a separate state agency or department.

Most state building codes have adopted ANSI A117.1, ADAAG, or a modification of the Standard, as the State Accessibility Code, thus making it enforceable.

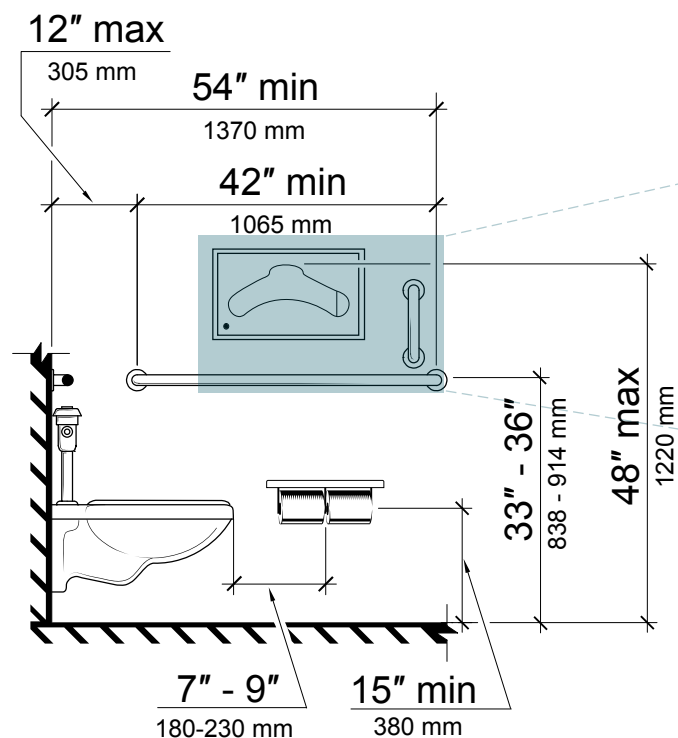
Always refer to your state's building codes to ensure compliance.

www.access-board.gov/links/statecodes.htm

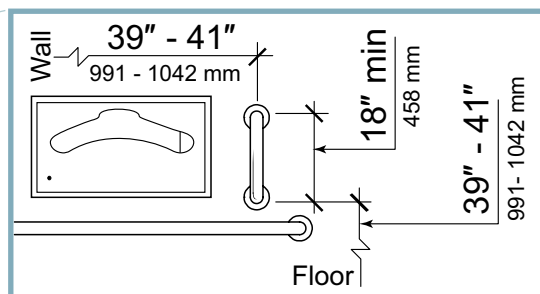
Accessible Stall Design

There are many dimensions to consider when designing an accessible bathroom stall. Distances should allow for common usage by people with a limited range of motion.

- Anything that a person might need to reach should be a maximum of 48" off of the ground.
- Grab Bars need to be mounted lower for better leverage (33"-36" high). Horizontal side wall grab bars need to be 42" min length.
- Rear wall grab bars must be 36" long, and mounted so 24" are to the transfer side of the toilet and the other 12" to the wall side.
- Toilet tissue needs to be easily within arm's reach. The ADA guide defines this as being within 7-9" from the front of the bowl and at least 15" off of the ground (48" max).
- Protruding (non-recessed) dispensers must be more than 12" above or below grab bars.
- Latches cannot require tight grasping, pinching, or twisting of the wrist. They must be operable with one hand, using less than five pounds of pressure.



Vertical grab bars are not yet covered in ADA guidelines. However, ANSI specifies the dimensions shown in the box below.

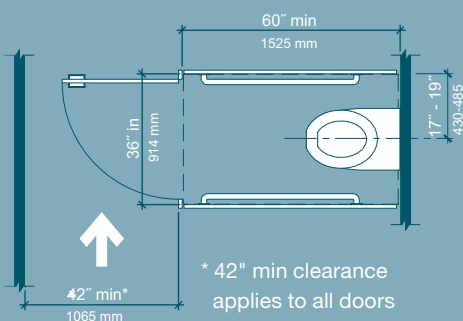


Detail of highlighted area

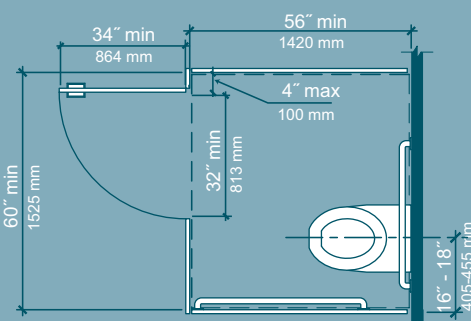
Be sure to verify all accessibility guidelines with your local codes, as they are often more strict than national codes.

Stall Dimensions

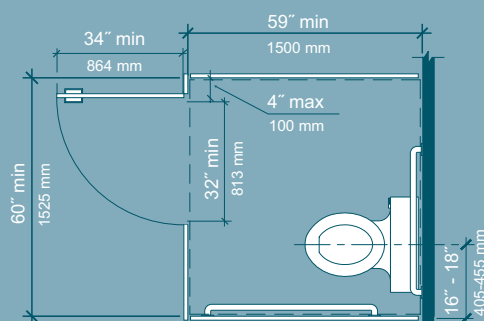
Ambulatory Compartment



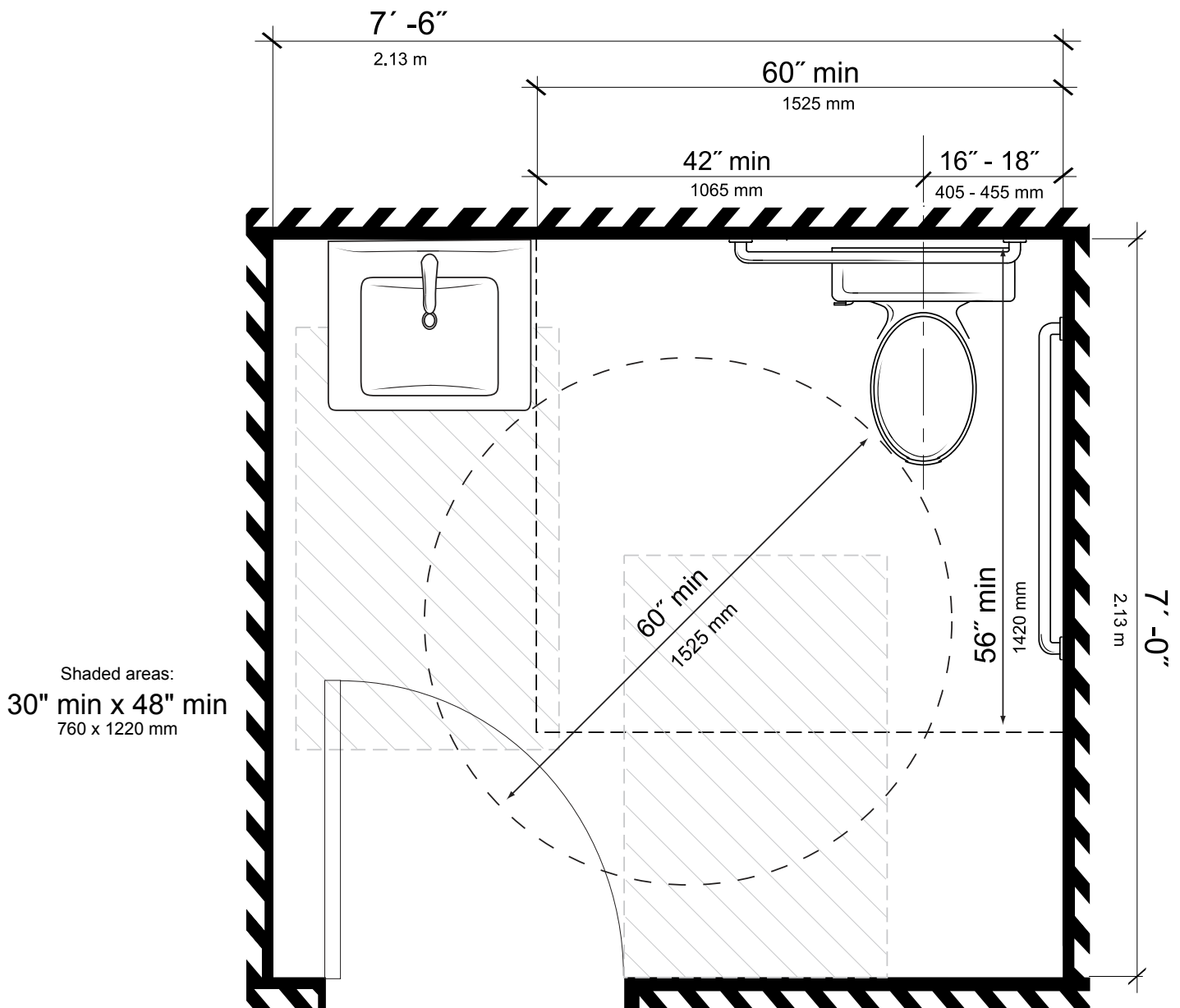
Wheelchair Accessible Compartment
Wall Mounted Water Closet (Adult)



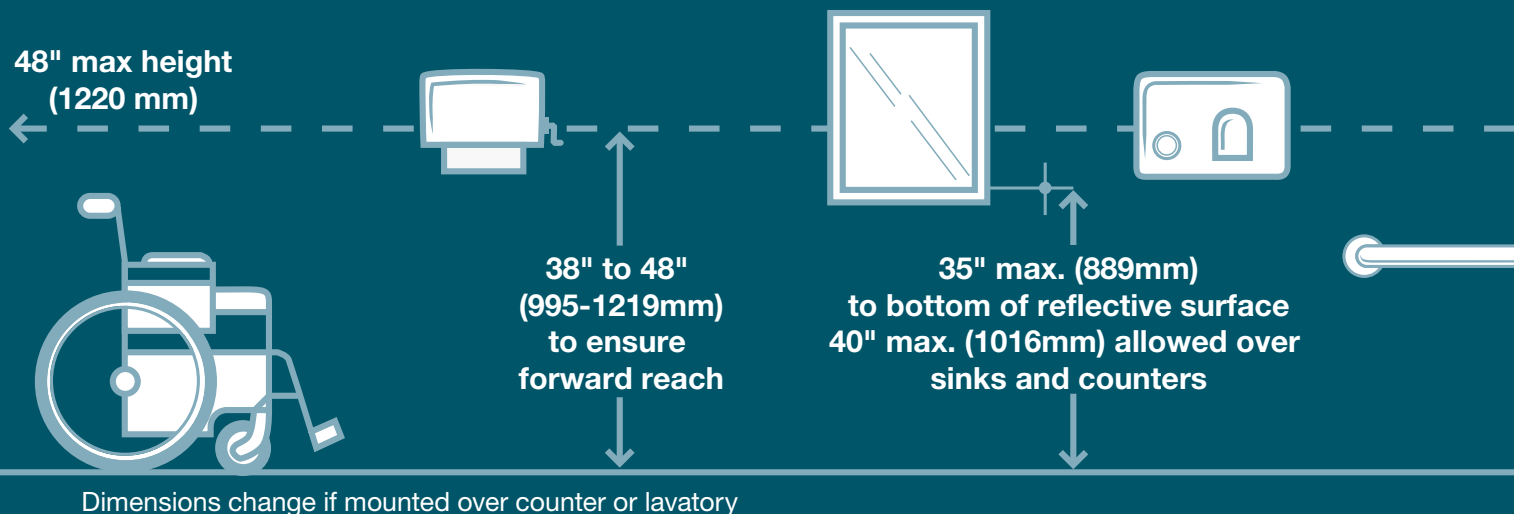
Wheelchair Accessible Compartment
Floor Mounted Water Closet (Adult/Child)



Single Occupant Restroom



Forward and Side Approaches for Unobstructed Reach



Single Occupant Restroom

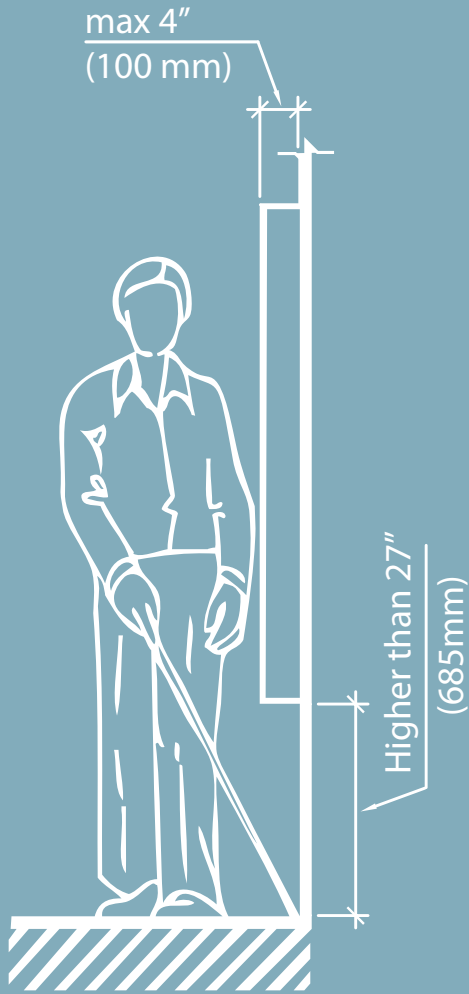
Single occupant restroom design should allow for a patron to enter the room and maneuver to all fixtures from a wheelchair. The diagram at left shows how the ADA required dimensions create an environment that is accessible to anyone. These requirements may be change depending on the specific application.

Check your local codes to be sure.

- Sinks must have 30" x 48" (760 x 1220 mm) of access. Measurement starts from the point where a person has 9" vertical clearance for their feet and 27" vertical clearance for their knees.
- The center line of the toilet must be between 16" – 18" (407 – 455 mm) from the wall. This distance ensures that grab bars can be effectively used to maneuver one's self as needed.
- 30" x 48" of clear floor space is required in every restroom. When 30" x 48" clear floor space is provided beyond the arc of the door swing (shaded area to right of door opening), the door is permitted to swing into the clear floor space or clearance required for any fixture.
- A door may swing into a required wheelchair turning space. A door may not swing into a required clear floor or ground space at a fixture. However, an exception is made in single occupancy toilet rooms if another required clear floor or ground space is available that is outside of the radius of the door swing (section 603.2.3). This allows the wheelchair user adequate room to maneuver out of the path of the door.

Be sure to verify all distances and heights with local codes to ensure compliance.

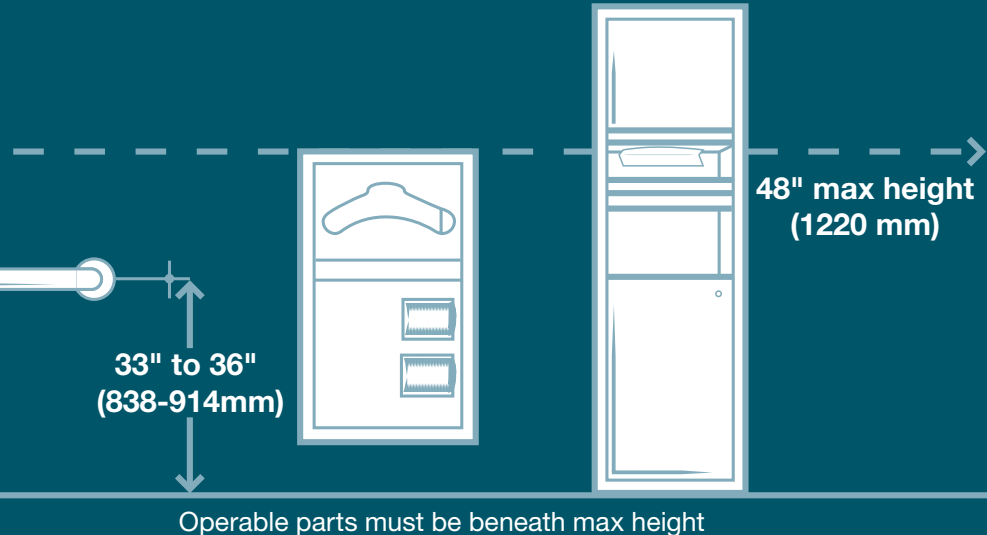
Lateral Clearance



In order to create a safe environment for visually impaired patrons, fixtures must be detectable with a cane. The diagram above highlights this requirement.

ADA guidelines state that fixtures above 27" (685 mm) must not protrude from the wall more than 4" (100 mm). A low fixture such as a waste receptacle can satisfy this requirement if it is detectable below the protruding fixture (usually hand dryers or towel dispensers).

Keep in mind that it's always important to double check requirements with local codes, as these supersede Federal requirements.



Bradley® Accessibility Solutions

FREQUENCY® LAVATORY SYSTEMS

Frequency® lavatory systems feature a wave design that offers a unique solution for meeting ADA needs and standard height washing comfort. All Bradley Lavatory fixtures are designed so that ADA leg clearance starts at the wall.

CAPACITIVE SENSING FAUCETS

Bradley's Capacitive Sensing Faucets automatically activate water flow through proximity sensing. Activation without grasping, pinching, or applying more than 5 lb pressure is required by ADA Guidelines.

TOWEL DISPENSER / WASTE RECEPTACLES

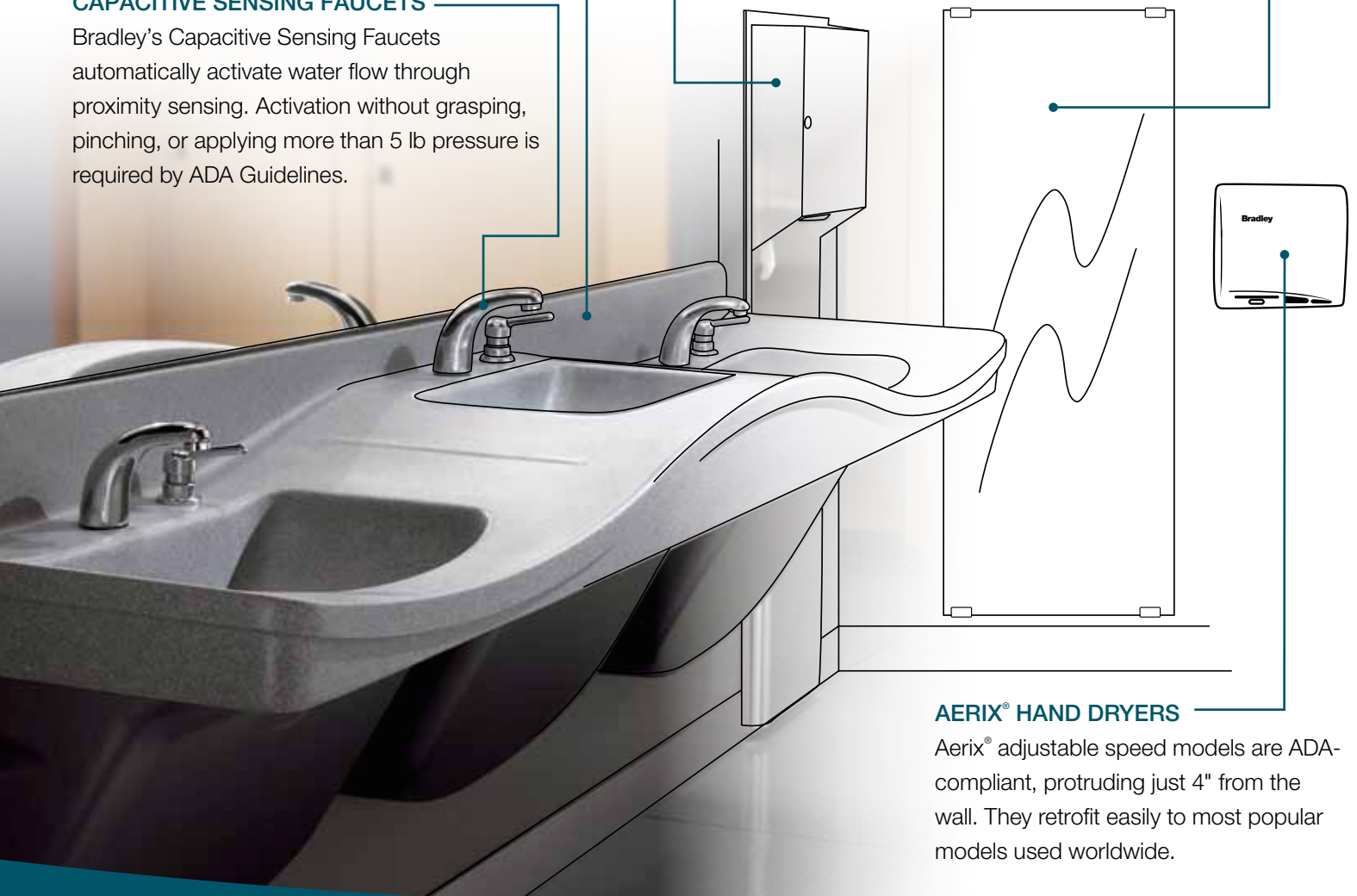
Combination towel dispenser / waste receptacles provide practical use of space. To avoid a hazardous restroom, install towel dispensers next to the sink. This is more convenient for people with disabilities as well. In order to meet the 4" maximum limit for objects that protrude into the circulation path, consider recessed accessories.

MIRRORS

ADA compliance requires at least one mirror with the reflective surface beginning no higher than 40" (1016 mm) off the ground. Bradley recommends installing a full length mirror next to the sink to satisfy this requirement. This is a more convenient solution for people who use a wheelchair, and ensures compliance with any state or local code.

AERIX® HAND DRYERS

Aerix® adjustable speed models are ADA-compliant, protruding just 4" from the wall. They retrofit easily to most popular models used worldwide.



Stall Accessibility Solutions

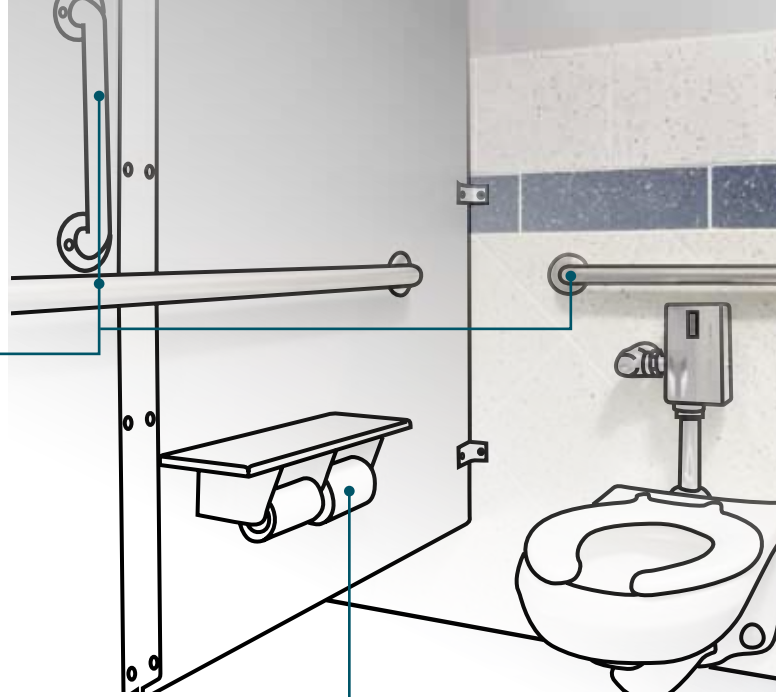
GRAB BARS

The ADA emphasizes grab bar installation because they help the individual maintain balance, transfer, and prevent falls. Bradley offers grab bars in various lengths, styles and finishes to fit any application.

Note: ANSI requires 18" minimum vertical grab bars in addition to the horizontal bars required in accessible toilet or shower stalls.

TOILET TISSUE DISPENSERS

To comply with ADA, toilet tissue dispensers cannot control delivery or limit paper flow.



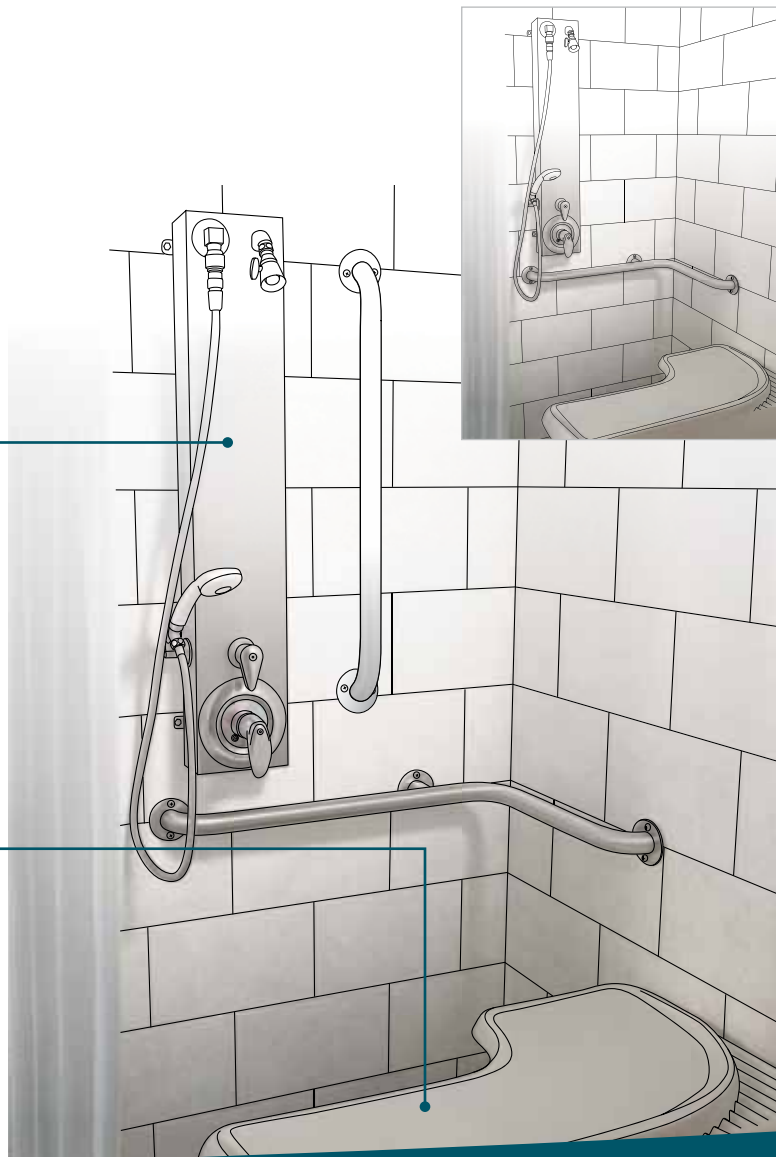
Shower Room Accessibility Solutions

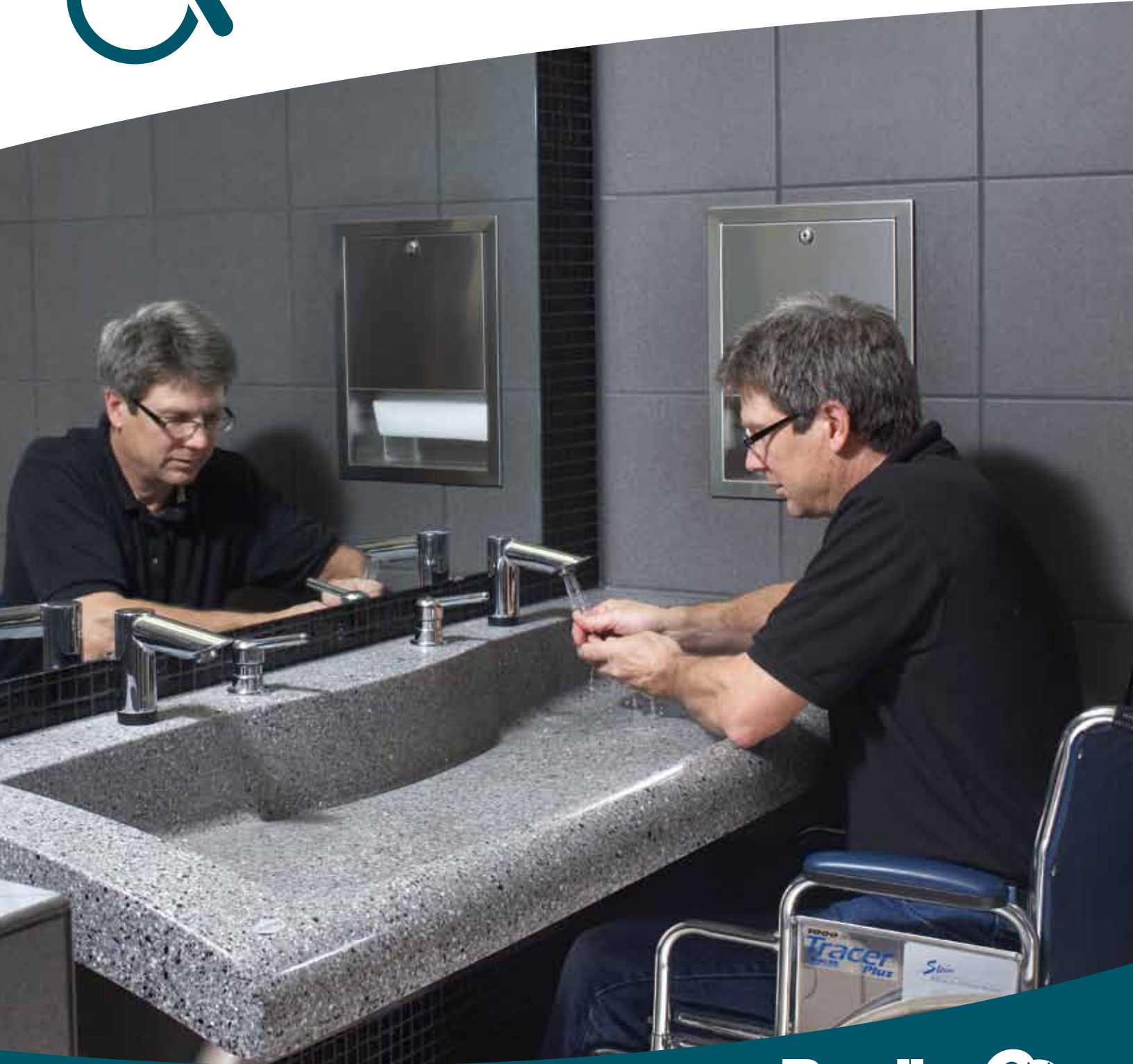
SHOWERS

ADA Compliance for showers requires both a hand-held shower head with 60" hose and a fixed sprayhead. Shower controls must require less than 5 lb of pressure with no grasping. Bradley offers several options for accessible showers

SHOWER SEATS

Bradley offers a variety of shower seats for ADA compliance, including bariatric models. Select anti-microbial models available.





Bradley 
Celebrating 90 Years of Innovation 1921•2011

800.BRADLEY (800.272.3539) bradleycorp.com
W142 N9101 Fountain Boulevard
Menomonee Falls, WI 53051

© Bradley Corp 2011
3931-2.5-0611