

# COUNTER TOP HAND HYGIENE STAND (DS)

## Contents:

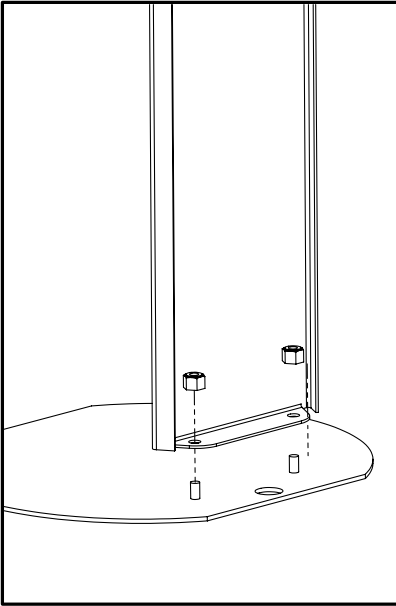
(1) Base Plate  
(1) Column  
(1) Back Cover

(4) #8 - 32 x 1/2" Screws  
(6) #8 - 32 Hex Lock Nuts

## Tools Needed:

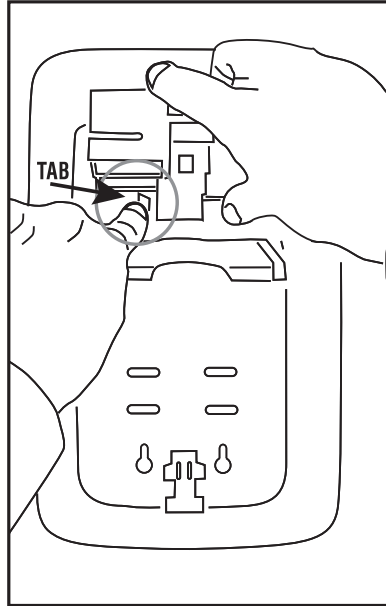
Phillips Head Screwdriver  
3/8" Box Wrench

### STEP 1



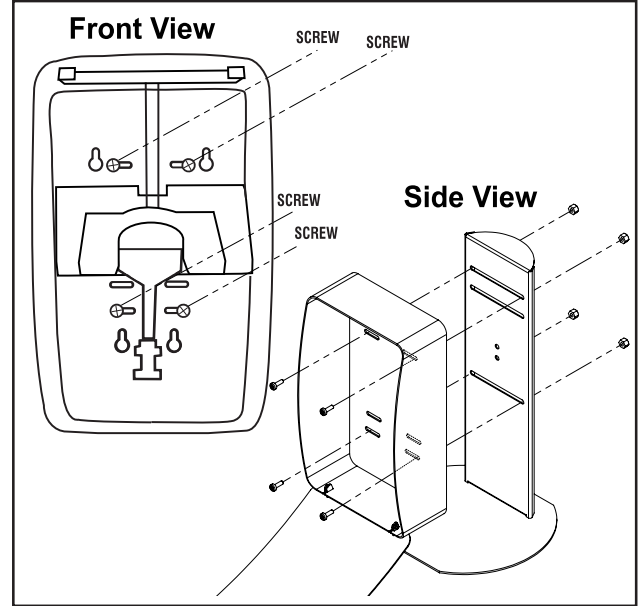
Attach column to base plate using two #8-32 Hex Lock Nuts.  
**IMPORTANT:** Do Not Over-tighten.

### STEP 2



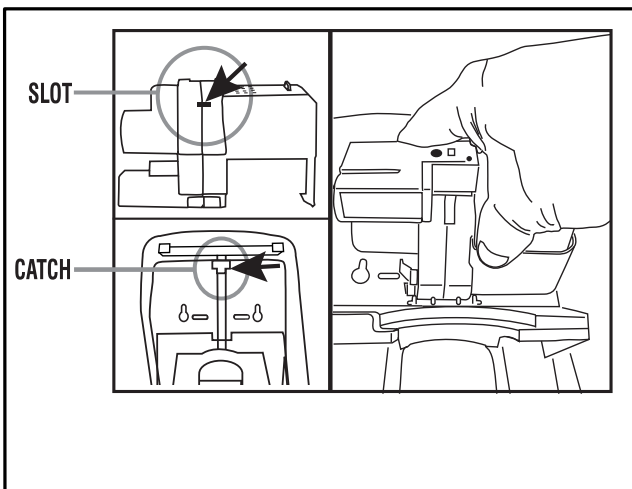
Open dispenser and remove electronic module by pushing tab to the left and lifting up.

### STEP 3



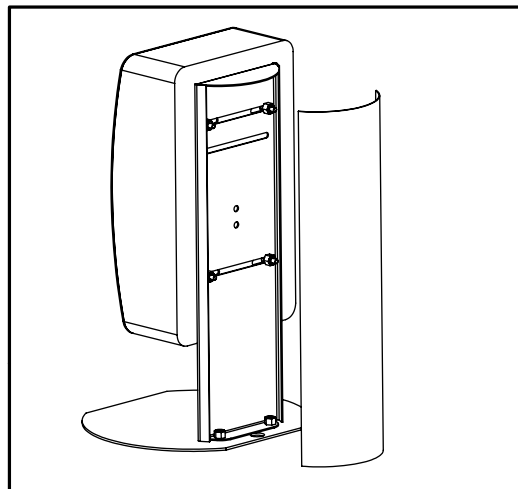
Align upper and lower mounting slots with slots in column. Fasten dispenser to stand using four #8-32 x 1/2" screws and #8-32 Hex Lock Nuts as shown.

### STEP 4



Insert electronic module by tucking the slot under the back catch and snapping down into place. Load refill bag bottom first and close dispenser.

### STEP 5



Mount back cover to stand by inserting one side into the angled flange and flexing the other side into place.