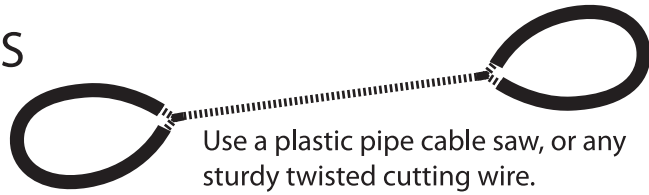
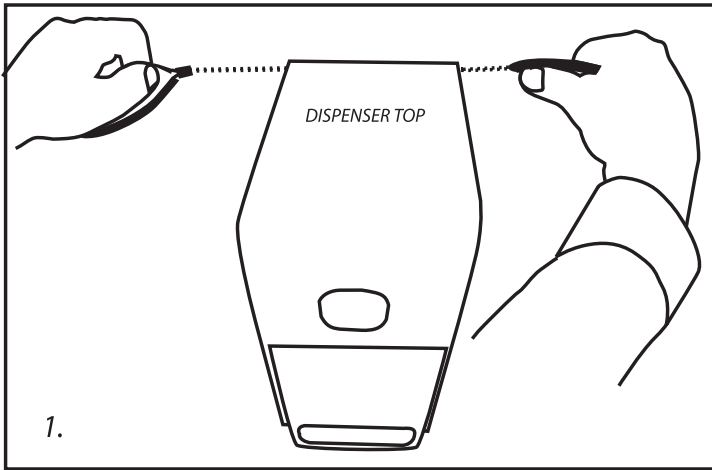


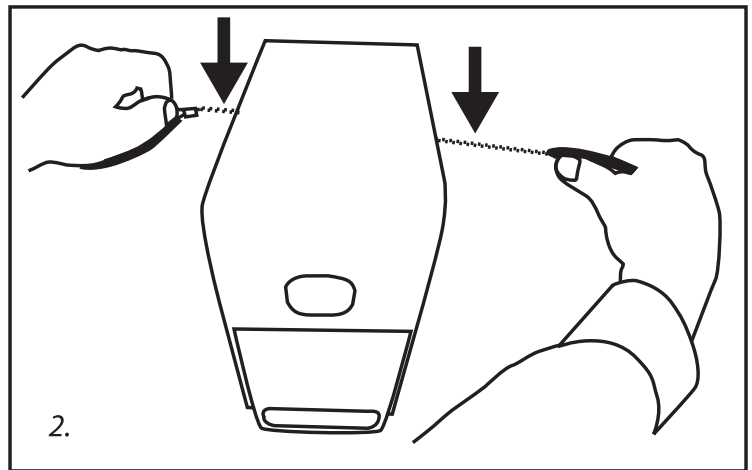
# REMOVING OLD DISPENSERS



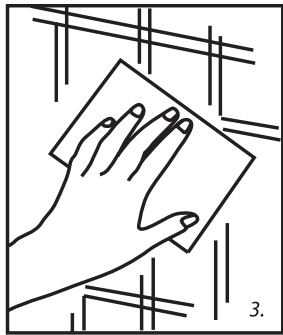
Use a plastic pipe cable saw, or any sturdy twisted cutting wire.



1. Place wire behind dispenser, between dispenser and wall.

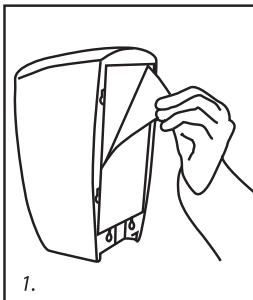


2. Using a back and forth sawing motion, move wire down the dispenser until dispenser is released.



3. Thoroughly scrape away leftover debris from the wall, then clean and dry the wall completely before mounting new dispenser.

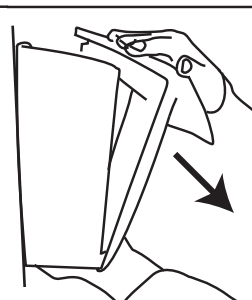
# MOUNTING NEW DISPENSERS



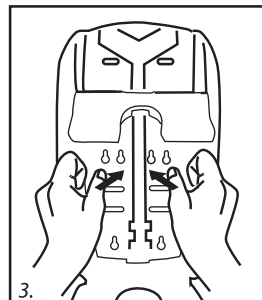
Remove the protective backing from the tape pad on the back of dispenser. Make certain that the mounting surface is clean and dry. Carefully position the dispenser to desired location and press firmly to the surface for 30 seconds.



Open the dispenser by pushing up on the release latch. The latch is on the bottom back edge of the dispenser in the center.



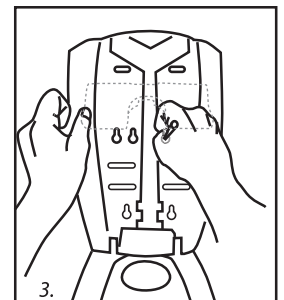
While pushing the release latch, open the dispenser by placing your other hand on the top and guiding the front cover forward.



Apply pressure from inside the dispenser over the taped area.

**NOTE: Allow dispenser to remain empty for a minimum of eight hours before loading.**

-OR- for Screw mounting:



Hold the dispenser against the wall in the proper position and mark the appropriate slots. Drill holes in marked slots. Attach dispenser to the wall with the wall anchor and screws provided. You may choose to remove a portion of the protective backing from the tape to help hold the dispenser in position as you complete the installation.